



ADVANCED FLOW  
**SYSTEMS**



## **HULIOT TL SYSTEM**

TL Waste Water pipes  
and fittings System

 **THREADLOCK™**

[www.huliot.com](http://www.huliot.com)



ADVANCED FLOW  
**SYSTEMS**





# THREADLOCK

## Index

■ <b>General Information</b>	Page 4
<hr/>	
■ <b>Plain ended pipe</b>	Page 9
<hr/>	
■ <b>conical seal</b>	Page 9
<hr/>	
■ <b>Bends</b>	Page 10
<hr/>	
■ <b>Branches</b>	Page 13
<hr/>	
■ <b>Double socket</b>	Page 14
<hr/>	
■ <b>Reducers</b>	Page 14
<hr/>	
■ <b>Nuts</b>	Page 15
<hr/>	
■ <b>Traps &amp; collectors</b>	
■ Collectors	Page 16
■ Traps	Page 17
■ Nuts & plugs	Page 19
■ Different parts for traps	Page 20
<hr/>	
■ <b>Bottle trap</b>	
■ Bottle trap for sink	Page 24
■ Bottle trap for s.steel sink	Page 27
■ Different parts for bottle traps	Page 29
■ Bottle trap for washing machine	Page 31
■ Seals	Page 32
■ Different parts for bottle traps 2"	Page 33
<hr/>	
■ <b>Waste kit for bath</b>	Page 34
<hr/>	
■ <b>Accessories</b>	Page 35
<hr/>	



# THREADLOCK

## General Information

### Piping systems for domestic hot and cold waste water



Piping and accessories for hot and cold domestic wastewater of diameters from 32 mm. to 50 mm., traps, collectors, exposed [above ground] traps, siphons bathtub drainage systems with threaded connections to the entire domestic drainage system

**Raw materials:**

Polypropylene (P.P)

**Color:**

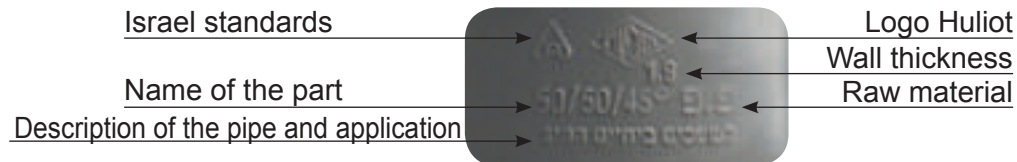
RAL 7037 grey and white

**Sealing:**

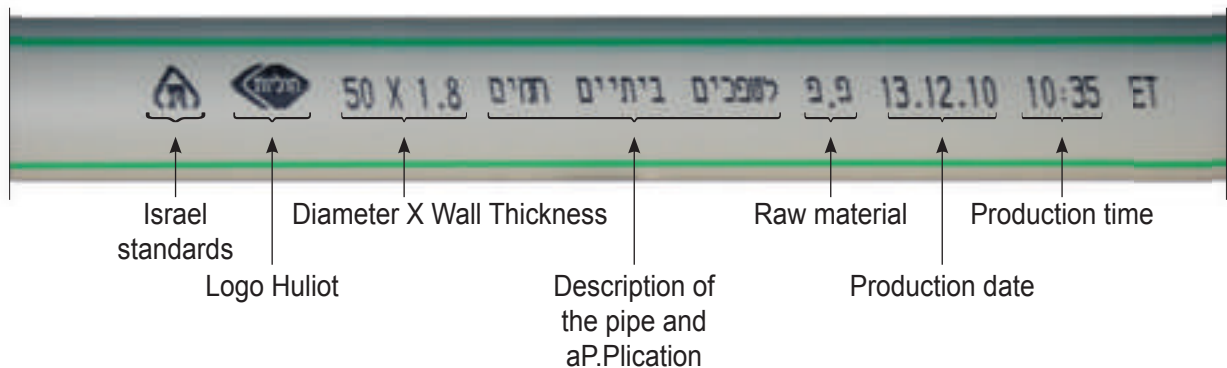
Accessories with a threaded head and sealing with various seals.  
 All the seals are made of SBR-NR or EPDM elastomer rubber.

**Sign:**

- Accessories:



- The pipe has 4 green stripes





# THREADLOCK

### Advantages:

- Simple, easy and convenient installation - no tools required
- Resistant to temperatures up to 95°
- Good resistance to chemicals
- Can be painted with acrylic paints

### Standard:



These Huliot systems are produced in accordance with, and certified to, Israeli Standards 958 in their entirety 1119, 1682, 5694.

**Table of mechanical properties of polypropylene Material carver**

Property	Measuring method		Symbol	Value
Density (g/cm <sup>3</sup> )	DIN 53479	ISO 1183	$\rho$	0.95
Notch impact resistance (at 20°c / kJ/m <sup>2</sup> )	DIN 53453	ISO 179	$\alpha_k$	6.86
Limited bending stress (N/mm <sup>2</sup> )	DIN 53452		$\sigma_{bG}$	43.14
Yield stress (N/mm <sup>2</sup> )	DIN 43452	ISO 527-2/50	$\sigma_s$	33.0
Tear resistance (N/mm <sup>2</sup> )			$\sigma_R$	39.22
Elongation at tear (%)			$\epsilon_R$	800
Modulus of elasticity (N/mm <sup>2</sup> )	DIN 53457		E	1275
Vicat softening point (°c)	DIN 53460	ISO 306-1	VSP/A	155-162
Thermal conductivity (W/Km)	DIN 52162		$\lambda$	0.22
Linear coefficient of thermal expansion (°c <sup>-1</sup> )	DIN VDE 0304-1-4		$\alpha$	1.2X100 <sup>3</sup>



# THREADLOCK



5694 | 1682 | 1119 | חלק 958

## AP.Plication

### ■ Bathroom



Floor Collectors

Floor Trap prevents bad smell for the shower

Floor Trap prevents bad smell

Bathroom drainage system



# THREADLOCK



5694 | 1682 | 1119 | חלק 1 | 958

## AP.Plication

### ▪ Kitchen



Dishwasher connection

Telescopic bend port connection to the outlet sewer pipe

Kitchen bottle trap 2"

Connection to the sink

Floor Trap prevents bad smell for sewer



# THREADLOCK



5694 | 1682 | 1119 | חלקו 958

## AP.Plication

### Washbasin



Branc

TLRB-Threadlock™  
Reducing bend 1 1/4"

Bottle trap  
1 1/4" with  
central screw

Threadlock™ floor  
drainage collectors





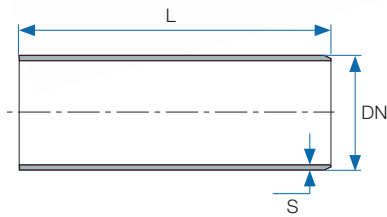
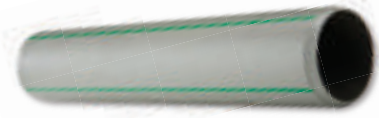
## PIPES / SEAL



5694 | 1682 | 1119 | 958 חלק 1

### Plain ended pipe

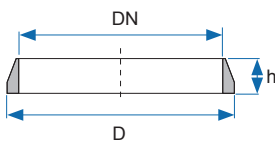
#### TLGL - Threadlock plain ended pipe



Art. No.	DN Ø mm	S	L	Material	Color	Package Quantity	Fram Quantity
64032400	32	1.8	4000	P.P	Grey	20	400
64041400	40	1.8	4000	P.P	Grey	10	300
64051400	50	1.8	4000	P.P	Grey	10	200

### Conical seal

#### Threadlock™ conical seal



Art. No.	DN Ø mm	D	h	Material	Color	Pallet Quantity
67632040	32	34	4	EPDM	Black	15,000
67640040	40	41	5	EPDM	Black	10,000
67650040	50	52	6	EPDM	Black	5,000
67660040	60	66	7	EPDM	Black	2,000



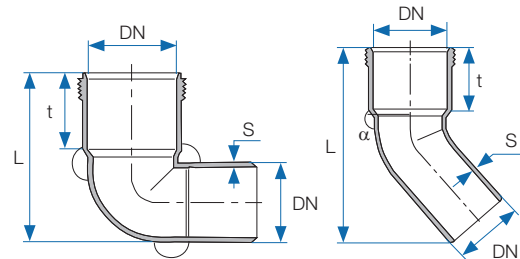
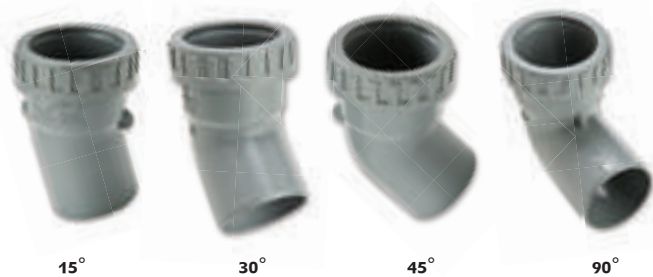
## BENDS



5694 | 1682 | 1119 | חלק 1 958

### Bends

#### TLB - Threadlock™ bend with plain end

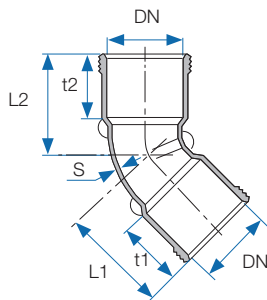


Art. No.	Sign	DN Ø mm	α	S	t	L	Material	Color	Package Quantity	Pallet Quantity
60051150	50/15	50	15°	1.8	37	98	P.P	Grey	90	4,320
60051300	50/30	50	30°	1.8	37	105	P.P	Grey	80	3,840
60041460	40/45	40	45°	1.8	36	107	P.P	Grey	120	5,760
60051460	50/45	50		1.8	37	109	P.P	Grey	90	4,320
60041960	40/90	40	90°	1.8	36	89	P.P	Grey	120	5,760
60051960	50/90	50		1.8	37	102	P.P	Grey	70	3,360

#### TLB - Threadlock™ bend 45°



Art. No.	Sign	DN Ø mm	S	t1	t2	L1	L2	Material	Color	Package Quantity	Pallet Quantity
60033460	32/32/45	32	1.8	30	30	50	50	P.P	Grey	130	6240
60044460	40/40/45	40	1.8	35	35	53	53	P.P	Grey	100	4,800
60055460	50/50/45	50	1.8	36	36	55	55	P.P	Grey	60	2,880





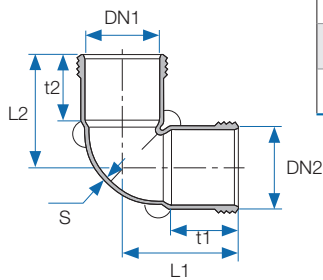
## BENDS



5694 | 1682 | 1119 | חלק 958

### Bends

#### TLB - Threadlock™ bend 90°

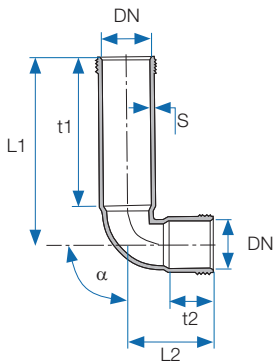


Art. No.	Type	DN Ø mm1	DN Ø mm2	S	t1	t2	L1	L2	Material	Color	Package Quantity	Pallet Quantity
60033960	32/32/90	32	32	1.8	30	30	50	50	P.P	Grey	130	6,240
60043960	40/32/90	40	32	1.8	30	36	54	62	P.P	Grey	110	5,280
60044960	40/40/90	40	40	1.8	36	36	60	60	P.P	Grey	100	4,800
60053960	50/32/90	50	32	1.8	30	36	57	62	P.P	Grey	90	4,320
60054960	50/40/90	50	40	1.8	36	36	64	69	P.P	Grey	80	3,840
60055960	50/50/90	50	50	1.8	36	36	70	70	P.P	Grey	55	2,640

#### TLBT - Threadlock™ bend 40/40/90 with long thread socket



Art. No.	Sign	DN Ø mm	α	S	t1	t2	L1	L2	Material	Color	Package Quantity	Pallet Quantity
61410960	40/40/90	40	90	1.8	118	35	149	66	P.P	Grey	60	2,880





## BENDS



5694 | 1682 | 1119 | 958 חלק 1

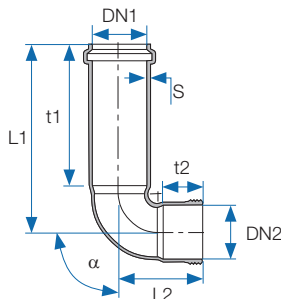
### Bends

#### TLBL - Threadlock™ bend 50/50/90 with long socket



Art. No.	Sign	DN Ø mm1	DN Ø mm2	α	S	t1	t2	L1	L2	Material	Color	Package Quantity	Pallet Quantity
61450960	50/50/90	50	50	90	1.8	145	37	190	75	P.P	Grey	60	1,560

\* DN1 - Push-Fit outlet  
 \* DN2 - Thread outlet

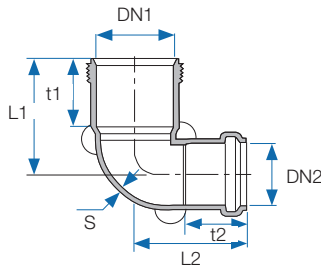


#### TLRB - Threadlock™ reducing bend 1 1/4"



Art. No.	Sign	DN Ø mm1	DN Ø mm2	S	t1	t2	L1	L2	Material	Color	Package Quantity	Pallet Quantity
60043930	40/32/90	40	32	1.8	36	40	62	60	P.P	Grey	120	5,760

\* DN1 - Push-Fit outlet  
 \* DN2 - Thread outlet





## BRANCHES



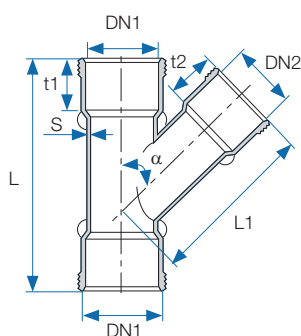
5694 | 1682 | 1119 | חלק 1 958

### Branches

#### ■ TLEA - Threadlock™ single branch 45°



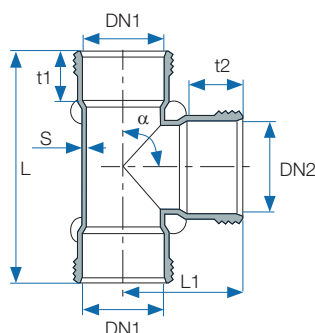
Art. No.	Sign	DN Ø mm1	DN Ø mm2	a	S	t1	t2	L	L1	Material	Color	Package Quantity	Pallet Quantity
60644460	40/40/40/45	40	40	45	1.8	36	36	155	100	P.P	Grey	80	2,080
60654460	50/50/40/45	50	40	45	1.8	36	36	160	110	P.P	Grey	60	1,560
60655460	50/50/50/45	50	50	45	1.8	36	36	160	110	P.P	Grey	60	1,560



#### ■ TLEA - Threadlock™ single branch 90°



Art. No.	Sign	DN Ø mm1	DN Ø mm2	a	S	L1	L	t1	t2	Material	Color	Package Quantity	Pallet Quantity
60633860	32/32/32/90	32	32	90	1.8	57	112	31	31	P.P	Grey	80	3,840
60644860	40/40/40/90	40	40	90	1.8	68	135	36	36	P.P	Grey	100	2,600
60654860	50/50/40/90	50	40	90	1.8	76	146	36	36	P.P	Grey	70	1,820
60655860	50/50/50/90	50	50	90	1.8	76	146	36	36	P.P	Grey	60	1,560





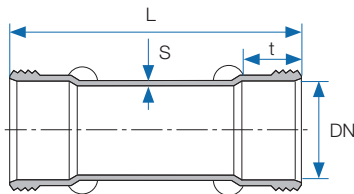
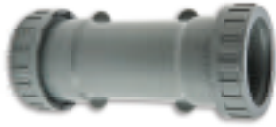
## SOCKET / REDUCERS



5694 | 1682 | 1119 | חלקי 958

### Socket

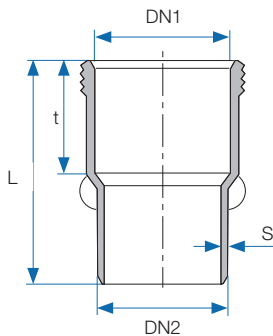
#### TLMM - Threadlock™ double socket



Art. No.	DN Ø mm	S	t	L	Material	Color	Package Quantity	Pallet Quantity
60532360	32	1.8	30	62	P.P	Grey	150	7,200
60540460	40	1.8	36	135	P.P	Grey	80	3,840
60550560	50	1.8	36	146	P.P	Grey	55	2,640

### Reducers

#### TLR - Threadlock™ reduction with plain end



Art. No.	Sign	DN Ø mm1	DN Ø mm2	S	t	L	Material	Color	Package Quantity	Pallet Quantity
62161560	60/50	60	50	1.8	48	100	P.P	Grey	60	2,880



## REDUCERS / NUT



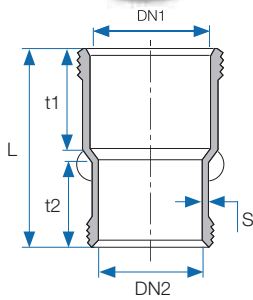
5694 | 1682 | 1119 | חלק 958

### Reducers

#### TLR - Threadlock™ reduction



Art. No.	Sign	DN Ø mm1	DN Ø mm2	S	t1	t2	L	Material	Color	Package Quantity	Pallet Quantity
62143260	40/32	40	32	1.8	36	31	72	P.P	Grey	130	6,240
62153260	50/32	50	32	1.8	36	30	77	P.P	Grey	100	4,800
62150460	50/40	50	40	1.8	36	39	80	P.P	Grey	100	4,800
62160560	60/50	60	50	1.8	48	40	93	P.P	Grey	100	2,880

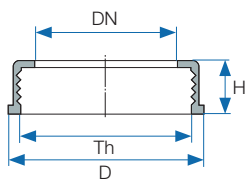


### Nuts

#### Threadlock™ nuts



Art. No.	Sign	DN Ø mm	D	Th	H	Material	Color	Package Quantity	Pallet Quantity
60732060	32 □IX	32	49	"¼1	17	P.P	Grey	1,000	48,000
60740060	40 □IX	40	55	"½1	15	P.P	Grey	850	40,800
60750060	50 □IX	50	66	"2	20	P.P	Grey	450	21,600
60760060	69 □IX	69	76	2¾"	22	P.P	Grey	300	14,400





## TRAPS & COLLECTORS



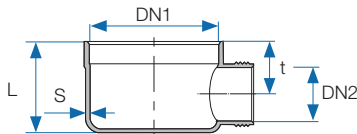
5694 | 1682 | 1119 | חולקו 958

### Traps & Collectors > Traps

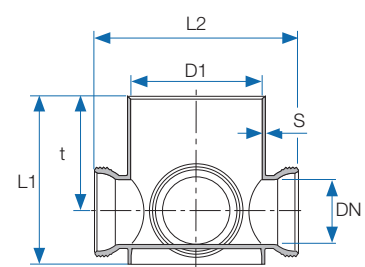
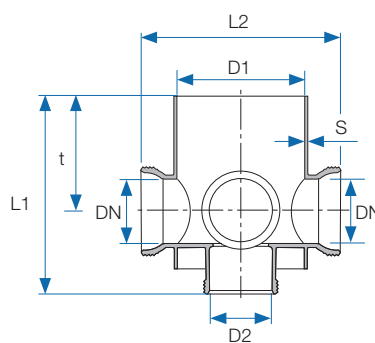
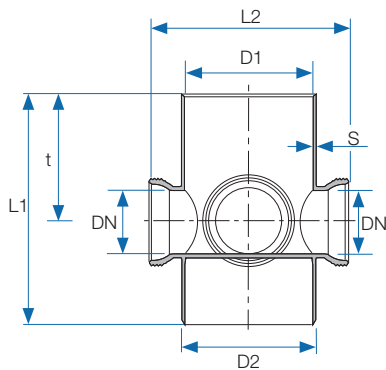
#### ■ Tjreadlock basement drain 70/40 without trap



Art. No.	DN1 Ø mm	DN2 Ø mm	S	t	L	Material	Color	Package Quantity	Pallet Quantity
60140760	98.4	40	2.5	37	68	P.P	Grey	60	1,560



#### ■ Threadlock™ floor drainage collectors



	Art. No.	Sign	DN Ø mm	DN1 Ø mm	DN2 Ø mm	S	t	L1	L2	Material	Color	Package Quantity	Pallet Quantity
1	60113560	50/130	50	98.4	-	2.5	90	133	153	P.P	Grey	24	624
2	60113562	50	50	98.4	50	2.5	90	154	153	P.P	Grey	22	572
3	60113565	110	50	98.4	110	2.5	90	200	153	P.P	Grey	16	416
4	6011366	100	50	98.4	100	2.5	90	208	153	P.P	Grey	16	416





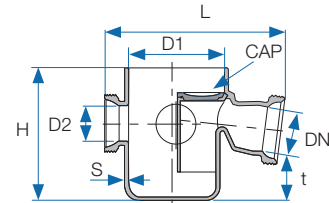
## TRAPS & COLLECTORS



5694 | 1682 | 1119 | חלק 958

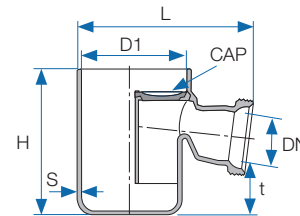
Traps & collectors > Collectors

### ▪ Threadlock™ water trap collector with adjustable ball joint



Art. No.	Sign	DN Ø mm	DN1 Ø mm	DN2 Ø mm	S	t	L	H	Material	Color	Package Quantity	Pallet Quantity
60114590	תופי	50	98.4	40	2.5	52	161	140	P.P	Grey	22	572

### ▪ Threadlock™ shower water trap



Art. No.	Sign	DN Ø mm	DN1 Ø mm	S	t	L	H	Material	Color	Package Quantity	Pallet Quantity
60114500	סגור	50	98.4	2.5	52	161	140	P.P	Grey	30	780



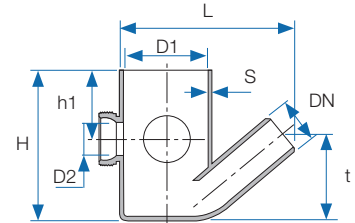
## TRAPS & COLLECTORS



5694 | 1682 | 1119 | חלקי 958

### Traps & collectors > Traps

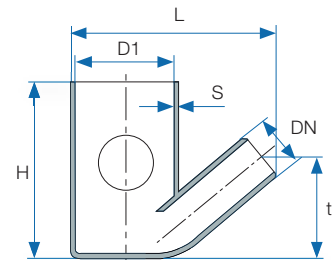
#### ■ Tjthreadlock slanted water trap collector with adjustable ball joint



Art. No.	Sign	DN Ø mm	DN1 Ø mm	DN2 Ø mm	H	h1	L	S	t	Material	Color	Package Quantity	Pallet Quantity
60115460	40/155	40	98.4	40	155	78	191	2.5	106	P.P	Grey	22	572
60117560	50/175	50	98.4	40	175	98	200	2.5	106	P.P	Grey	20	520

#### ■ מחסומי רצפה – קומקום למקלחת סגור

#### ■ Tjthreadlock shower slanted water trap



Art. No.	Sign	DN Ø mm	DN1 Ø mm	S	t	L	H	Material	Color	Package Quantity	Pallet Quantity
60115400	40/155	40	98.4	2.5	106	191	155	P.P	Grey	30	780
60117500	50/175	50	98.4	2.5	106	200	175	P.P	Grey	26	650



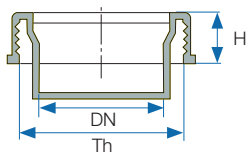
## TRAPS & COLLECTORS



5694 | 1682 | 1119 | 1 חלק 958

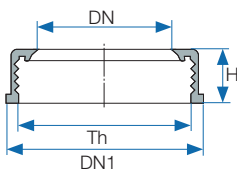
### Trap > Nuts & plugs

#### Tjreadlock Threadlock™ green plugs



Art. No.	Sign	DN Ø mm	H	Th	Material	Color	Package Quantity	Pallet Quantity
60950060	2"50- פקק	50	20	2"	P.P	Green	480	23,040
60969060	2"69- פקק	69	22	2"	P.P	Green	345	16,560

#### Tjreadlock Threadlock™ green nuts for adjustable ball joint



Art. No.	Sign	DN Ø mm	DN Ø mm1	Th	H	Material	Color	Package Quantity	Pallet Quantity
60850060	Nut 2" 50	40	66	2"	20	P.P	Green	450	21,600
60860060	Nut 2" 69	50	76	23/8"	22	P.P	Green	300	14,400



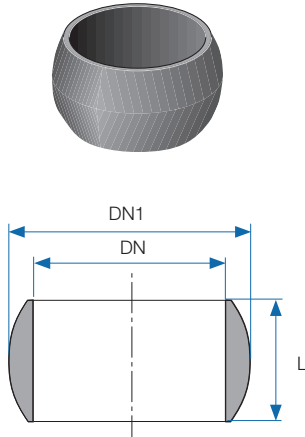
## TRAPS & COLLECTORS



5694 | 1682 | 1119 | חלק 958

### Trap > Different parts for traps

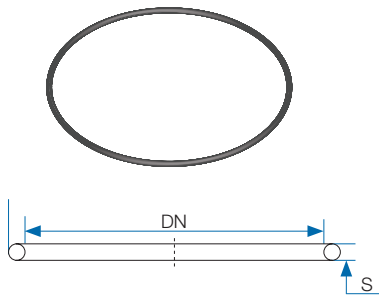
#### ■ Threadlock™ ball seal



Art. No.	DN Ø mm	DN Ø mm1	L	Material	Color	Package Quantity
67753240	32	50	35	SBR	Black	400
67750440	40	50	30	SBR	Black	750
67760440	40	60	43	SBR	Black	300
67760540	50	60	31	SBR	Black	500

\* For use at traps and collectors

#### ■ Threadlock™ round seal



Art. No.	Name	DN Ø mm	S	use
61451461	Seal for Cover	84	3.0	For use at: round grating, cover, height adjustment piece
61451471	Coated sael for bottle trap 2"	84	3.0	For use bottle trap 2"
61239040	Sael for bottle trap 1¼"	59	2.5	For use bottle trap 1¼"
67750040	Sael for plug 69	49	2.5	For use plug 69
67750140	Sael for plug 50	38	2.5	For use plug 50



## TRAPS & COLLECTORS



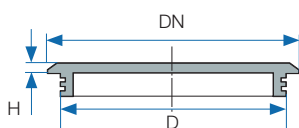
5694 | 1682 | 1119 | חלק 1 958

### Trap > Different parts for traps

#### ■ Tjreadlock round cover



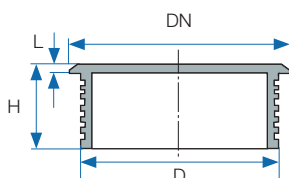
Art. No.	DN Ø mm	D	H	Material	Color	Package Quantity	Pallet Quantity
60300267	117	98.2	2.5	P.P	White	130	6,240
60300263	117	98.2	2.5	P.P	Beige	130	6,240



#### ■ Tjreadlock round cover (extended)



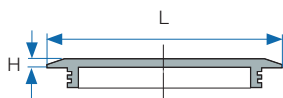
Art. No.	DN Ø mm	D	H	L	Material	Color	Package Quantity	Pallet Quantity
60300363	111	98.2	42	2.5	P.P	White	84	4,032
60300367	111	98.2	42	2.5	P.P	Beige	84	4,032



#### ■ Tjreadlock outer square cover



Art. No.	L	H	Material	Color	Package Quantity	Pallet Quantity
60300563	112	2.5	P.P	White	35	3,500
60300567	112	2.5	P.P	Beige	35	3,500





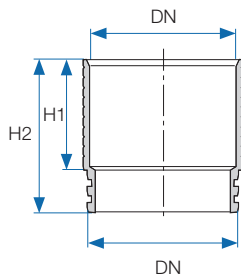
## TRAPS & COLLECTORS



5694 | 1682 | 1119 | חלק 1 958

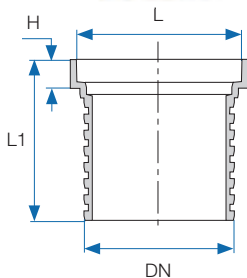
### Trap > Different parts for traps

#### ■ Tjreadlock height adjustment piece



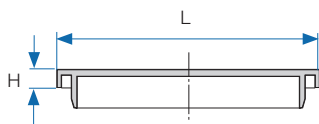
Art. No.	DN Ø mm	H1	H2	Material	Color	Package Quantity	Pallet Quantity
60203651	98.2	65	90	P.P	Grey	48	1,920

#### ■ Tjreadlock height adjustment piece for square cover



Art. No.	DN Ø mm	L	H	L1	Material	Color	Package Quantity	Pallet Quantity
60200260	98.2	104	11	80	P.P	Beige	80	1,920

#### ■ Tjreadlock internal square cover



Art. No.	L	H	Material	Color	Package Quantity	Pallet Quantity
60300463	103	5	P.P	White	140	6,720
60300467	103	5	P.P	Beige	140	6,720



## TRAPS & COLLECTORS



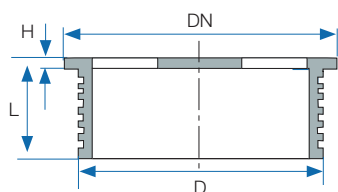
5694 | 1682 | 1119 | חלק 958

### Trap > Different parts for traps

#### ▪ Tjreadlock round grating covers



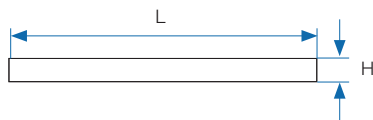
Art. No.	DN Ø mm	D	L	H	Material	Color	Package Quantity	Pallet Quantity
60400263	104	98.2	43	2.5	ABS	White	90	2,880
60400260	104	98.2	43	2.5	ABS	Beige	90	2,880



#### ▪ Tjreadlock square grating cover



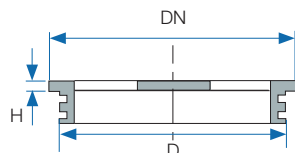
Art. No.	L	H	Material	Color	Package Quantity	Pallet Quantity
60400360	102	10	ABS	Beige	85	4,000



#### ▪ Tjreadlock round grating covers



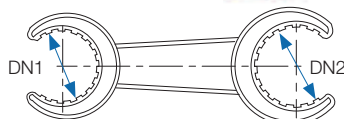
Art. No.	DN Ø mm	D	H	Material	Color	Package Quantity	Pallet Quantity
60400160	104	98.2	2.5	ABS	White	180	8,640
60400163	104	98.2	2.5	ABS	Beige	180	8,640



#### ▪ Tjreadlock Threadlock™ nuts wrenches



Art. No.	Sign	DN Ø mm1	DN Ø mm2	Material	Color	Package Quantity
61040360	40-32	32-1 <sup>1</sup> / <sub>4</sub> "	40-1 <sup>1</sup> / <sub>2</sub> "	Polyamide 66	Blue	200
61060560	69-50	50-2"	69-2 <sup>3</sup> / <sub>8</sub> "	Polyamide 66	Blue	200





## BOTTLE TRAP



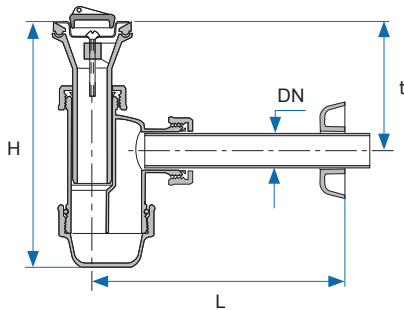
5694 | 1682 | 1119 | חלקי 958

### Bottle trap > Bottle trap for sink

#### ■ Bottle trap 1 1/4" with central screw



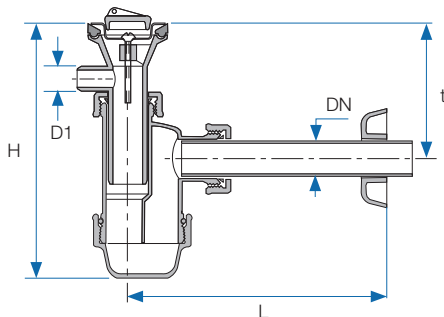
Art. No.	DN Ø mm	t	L	H	Material	Color	Package Quantity	Pallet Quantity
61230060	32	80-150	240	170-240	P.P	White	45	1,170



#### ■ Bottle trap 1 1/4" with central screw and outlet for AC drainage



Art. No.	DN Ø mm	רז"ב D1	t	L	H	Material	Color	Package Quantity	Pallet Quantity
61233360	32	19	80-150	240	170-240	P.P	White	45	1,170







# BOTTLE TRAP



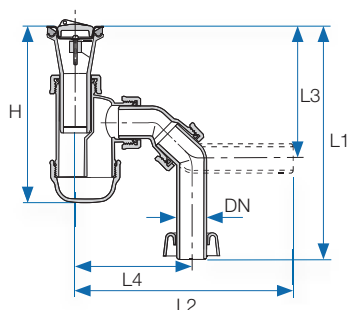
5694 | 1682 | 1119 | חלק 958

## Bottle trap > Bottle trap for sink

### ▪ Bottle trap 2" with central screw



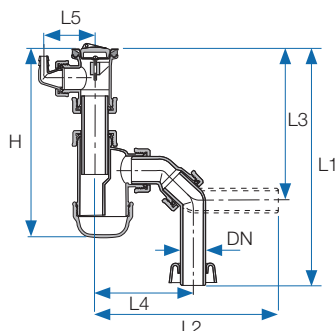
Art. No.	DN Ø mm	L1	L2	L3	L4	H	Material	Color	Package Quantity	Pallet Quantity
61450060	50	315-380	325	160-210	155	280-400	P.P	White	20	520



### ▪ Bottle trap 2" with central screw and outlet for washing machine or dishwasher



Art. No.	DN Ø mm	L1	L2	L3	L4	L5	H	Material	Color	Package Quantity	Pallet Quantity
61550060	50	235-490	325	215-330	155	85	280-400	P.P	White	15	390





## BOTTLE TRAP



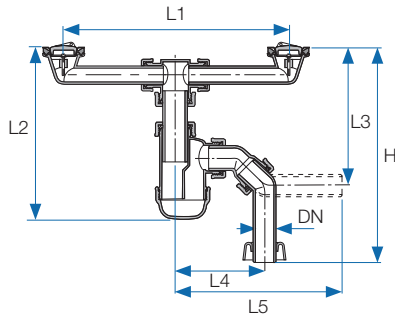
5694 | 1682 | 1119 | 958 חלק 1

### Bottle trap > Bottle trap for sink

- **Bottle trap 2" with connections for double sinks with central screw**



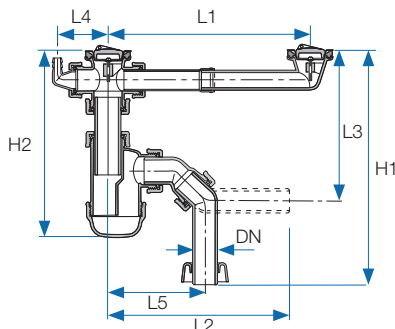
Art. No.	DN Ø mm	L1	L2	L3	L4	L5	H	Material	Color	Package Quantity	Pallet Quantity
61350060	50	460-500	280-400	350-410	155	325	500-550	P.P	White	12	312



- **Bottle trap 2" with connections for double sinks with central screw and outlet for washing machine or dishwasher**



Art. No.	DN Ø mm	L1	L2	L3	L4	L5	H1	H2	Material	Color	Package Quantity	Pallet Quantity
61650060	50	230-250	325	350-410	85	155	500-550	280-400	P.P	White	12	312





# BOTTLE TRAP



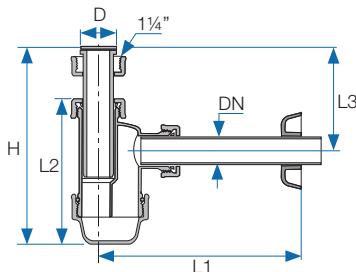
5694 | 1682 | 1119 | חלק 958

## Bottle trap > Bottle trap for s.steel sink

### ▪ Bottle trap 1 1/4" for s.steel sink (6)



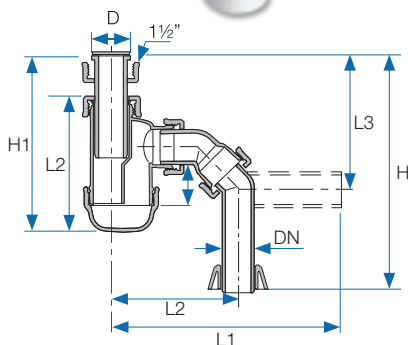
Art. No.	DN Ø mm	D Ø mm	L1	L2	L3	H	Material	Color	Package Quantity	Pallet Quantity
62230060	32	38	210	145	146-206	185-245	P.P	White	45	1170



### ▪ Bottle trap 2" for s.steel sink (1)



Art. No.	DN Ø mm	D Ø mm	L1	L2	L3	H	H1	Material	Color	Package Quantity	Pallet Quantity
62450060	50	44	345	195	140-230	300-385	210-283	P.P	White	20	520





## BOTTLE TRAP



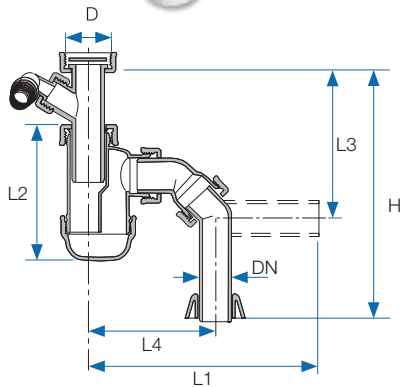
5694 | 1682 | 1119 | 958 חלק 1

### Bottle trap > Bottle trap for s.steel sink

- **Bottle trap 2" for s.steel sink with outlet for washing machine or dishwasher (3)**



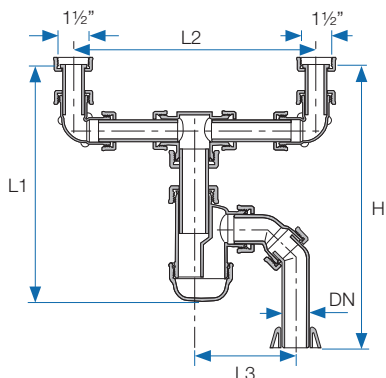
Art. No.	DN Ø mm	D Ø mm	L1	L2	L3	L4	H	Material	Color	Package Quantity	Pallet Quantity
62550060	50	44	345	195	140-230	195	300-385	P.P	White	20	520



- **Bottle trap 2" for s.steel sink with connections for double sinks (4)**



Art. No.	DN Ø mm	L1	L2	L3	H	Material	Color	Package Quantity	Pallet Quantity
62650060	50	210-283	460-500	155	300-385	P.P	White	10	260





## BOTTLE TRAP



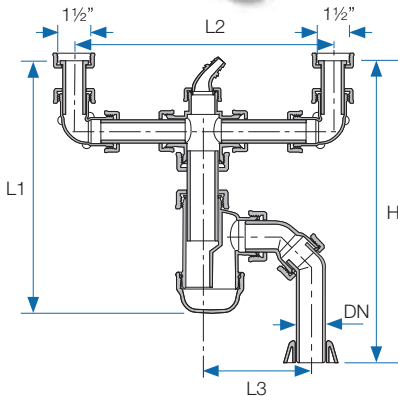
5694 | 1682 | 1119 | 1 חלקק 958

### Bottle trap > Bottle trap for s.steel sink

- Bottle trap 2" or s.steel sink with connections for double sinks and center outlet for washing machine or dishwasher (5)

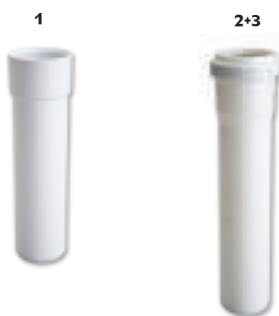


Art. No.	DN Ø mm	L1	L2	L3	H	Material	Color	Package Quantity	Pallet Quantity
62750060	50	210-283	460-500	155	300-385	P.P	White	10	260

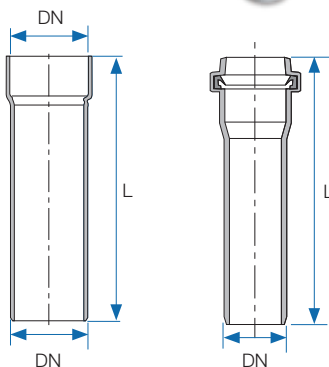


### Bottle trap > Different parts for bottle traps

- Extensions for bottle trap



	Art. No.	DN Ø mm	L	Material	Color	Package Quantity	Pallet Quantity
1	61239460	32	122	P.P	White	240	11,520
2	61758460	40	250	P.P	White	132	3,168
3	61458460	50	250	P.P	White	60	-





## BOTTLE TRAP



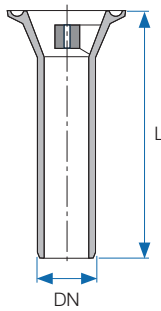
5694 | 1682 | 1119 | חלקי 958

### Bottle trap > Different parts for bottle traps

#### ▪ Long Inlet for bottle trap 1 ¼"



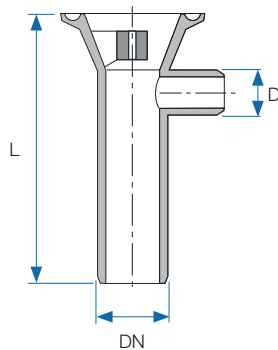
Art. No.	DN Ø mm	L	Material	Color	Package Quantity	Pallet Quantity
62233560	32	220	P.P	White	60	2,880



#### ▪ Inlet for bottle trap 1 ¼" with outlet for AC drainage



Art. No.	DN Ø mm	D Ø mm	L	Material	Color
61233361	32	19	119	P.P	White





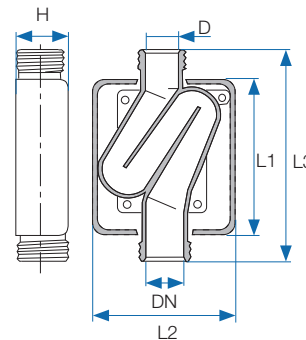
# BOTTLE TRAP



5694 | 1682 | 1119 | חלק 958

## Bottle trap > Bottle trap for washing machine

### "H" trap for washing machine



Art. No.	DN Ø mm	D Ø mm	H	L1	L2	L3	Material	Color	Package Quantity	Pallet Quantity
61480100	40	32	61	123	115	175	P.P	White	20	520

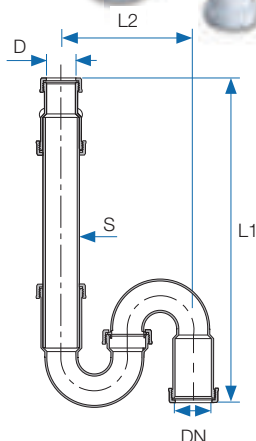
\* The kit is packaged with 40 mm pipe 500mm length and flange

### Pipe trap 1½" for washing machine



"J" Sifon  
 electrodomestic 1½"  
 Art No. 63350060

Art. No.	DN Ø mm	D Ø mm	S	L1	L2	Material	Color	Package Quantity	Pallet Quantity
62850060	40	32	1.8	350	151	P.P	White	15	720





## BOTTLE TRAP



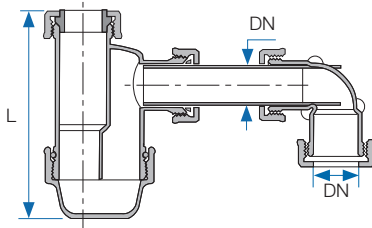
5694 | 1682 | 1119 | חלקי 958

### Bottle trap > Bottle trap for washing machine

#### ■ Bottle trap for 1¼" washing machine

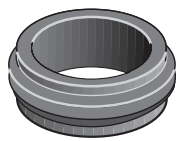


Art. No.	DN Ø mm	L	Material	Color	Package Quantity	Pallet Quantity
61230065	32	145	P.P	White	25	1,200

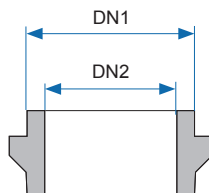


### Bottle trap > Seals

#### ■ Reduction seal for theaded parts



Art. No.	Sign	DN1 Ø mm	DN2 Ø mm	Material	Color
67632040	32/28	32	28	SBR	Black
67640040	50/32	50	32	SBR	Black
67650040	50/40	50	50	SBR	Black







# BOTTLE TRAP



5694 | 1682 | 1119 | 1 חלקי 958

## Bottle trap > Different parts for bottle traps 2"

### Outlet connection kit 1½" for washing machine or dishwasher

Art. No.	α	Outlet diameter	Material	Color
61554561	45°	1½"	P.P	White
61531561	45°	1¼"	P.P	White
61551561	90°	1½"	P.P	White



### "J" extension 1½" with outlet for dishwasher

Art. No.	Material	Color
61300030	P.P	White



### Plug for sink valve (J)

Art. No.	Name	Material	Color
61451640	Plug 2"	EPDM	White
61239940	Plug 1¼"	EPDM	White
61110140	Plug 1½"	EPDM	White



### White flange

Art. No.	Name	Material	Color
61451161	2" Flange	P.P	White
61235060	1¼" Flange	P.P	White



### Drain valve (J)

Art. No.	Color
6220002	White
6220001	chrome



chrome



White

### TLB Threadlock™ bend white 40/40/90°

Art. No.	Material	Color
160044937	P.P	White



\* See dimensions on page 11

### White bend

Art. No.	Material	Color
61233261	P.P	White
61554061	P.P	White
61455061	P.P	White

\* See dimensions on page 15



32 Nut White



40 Nut White



50 Nut White

### Threaded single branch for bottle traps

Art. No.	Material	Color
62750160	P.P	White
61350861	P.P	White



Threaded single branch for bottle traps (3)



Threaded double branch for bottle traps (5)



## WASTE KITS FOR BATH



5694 | 1682 | 1119 | חלקי 958

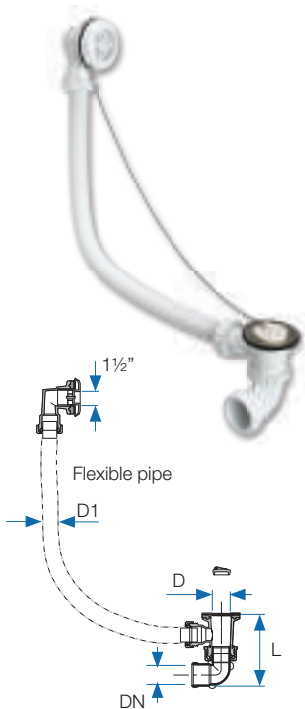
### Waste kit for bath

#### Waste kit for bath 2002



Art. No.	DN Ø mm	D Ø mm	DN2 Ø mm	L	Material	Color	Package Quantity	Pallet Quantity
61100062	40	45	28	65	P.P	White	24	624

#### Waste kit for bath 2001



Art. No.	תיאור	DN Ø mm	D Ø mm	DN1 Ø mm	L	Material	Color	Package Quantity	Pallet Quantity
61100060	עם ברך	40	45	28	120	P.P	White	24	520



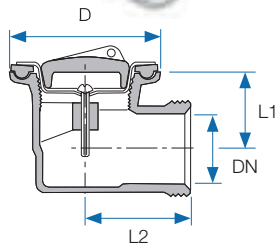
## ACCESSORIES



5694 | 1682 | 1119 | 1 חלקי 958

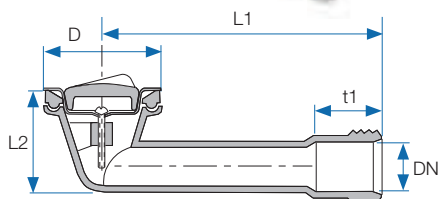
### Accessories

#### Waste kit for shower trays short



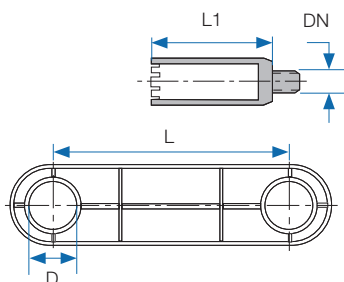
Art. No.	DN Ø mm	D Ø mm	L1	L2	Material	Color	Package Quantity	Pallet Quantity
61651065	40	44	46	59	P.P	White	80	3,840

#### Waste kit for shower trays



Art. No.	DN Ø mm	D Ø mm	L1	L2	t1	Material	Color	Package Quantity	Pallet Quantity
61651061	40	77	205	76	35	P.P	White	40	2,304

#### Threadlock™ nuts wrenches



Art. No.	DN Ø mm	Diameter	L	L1	Package Quantity	Pallet Quantity
61600160	Ø½"	Ø34	150	70	40	2,304



## ADVANCED FLOW SYSTEMS

HULIOT A.C.S Ltd.  
Kibbutz Sde-Nehemia  
UP.Per-Galile, 12145, ISRAEL  
Tel: +972- 4-6946011, Fax: +972-4-6951444  
**info@huliot.com, www.huliot.com**